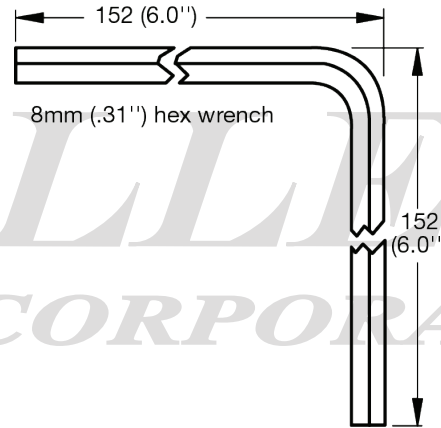




ALLEGIS
CORPORATION



www.ALLEGISCORP.com
1-866-378-7550

MATERIAL / FINISH :

Zinc Plated

REV. :

1 : 1

DATE :

5-1-2018

DESCRIPTION :

Tool

DRAWING NO. :

29-0059-02